

BB07552

5 Inch Double Cut Saw Assembly & Operating Instructions



READ ALL INSTRUCTIONS AND WARNINGS BEFORE USING THIS PRODUCT.

This manual provides important information on proper operation & maintenance. Every effort has been made to ensure the accuracy of this manual. These instructions are not meant to cover every possible condition and situation that may occur. We reserve the right to change this product at any time without prior notice.

IF THERE IS ANY QUESTION ABOUT A CONDITION BEING SAFE OR UNSAFE,
DO NOT OPERATE THIS PRODUCT!

DO NOT RETURN THIS PRODUCT TO THE RETAILER - CONTACT CUSTOMER SERVICE.

If you experience a problem, have questions or need parts for this product, call Customer Service at **1-888-287-6981, Monday-Friday, 8 AM - 4 PM Central Time**. A copy of the sales receipt is required.

FOR CONSUMER USE ONLY – NOT FOR PROFESSIONAL USE.

KEEP THIS MANUAL, SALES RECEIPT & APPLICABLE WARRANTY FOR FUTURE REFERENCE.

IMPORTANT SAFETY INSTRUCTIONS

WORK AREA

WARNING

Keep your work area clean and well lit. Cluttered work benches and dark work areas may cause accidents or injury.

Do not operate power tools in explosive areas, such as in the presence of flammable liquids, gases or dust. Power tools create sparks which may ignite the dust or fumes.

Keep bystanders, children and visitors away while operating a power tool. Distractions can cause you to lose control.

ELECTRICAL SAFETY

WARNING

Double insulated tools are equipped with a polarized plug (one blade is wider than the other.) This plug will fit in a polarized outlet only one way. If the plug does not fit fully in the outlet, reverse the plug. If it still does not fit, contact a qualified electrician to install a polarized outlet. Do not change the plug in any way. Double insulation eliminates the need for the three wire grounded power cord and grounded power supply system.

Avoid body contact with grounded surfaces such as pipes, radiators, ranges and refrigerators. There is an increased risk of electric shock if your body is grounded.

Do not abuse the cord. Never use the cord to carry the tool or pull the plug from an outlet. Keep the cord away from heat, oil, sharp edges, or moving parts. Replace damaged cords immediately. Damaged cords increase the risk of electric shock.

When operating the tool outside, use an outdoor extension cord marked "WA" or "W." These cords are rated for outdoor use and reduce the risk of electric shock. Make sure the extension cord being used is in good condition. If there are any cuts or nicks (no matter how deep) in the insulation, DO NOT use that cord. Also, make sure the extension cord is heavy enough to carry the current needed. DO NOT use small "around-the-house" lamp extension cords. These cords can easily overheat and/or catch fire when used with power tools.

TOOL USE & CARE

CAUTION

Use clamps or other practical ways to secure and support the workpiece to a stable platform. Holding the work by hand or against your body is unstable and may lead to loss of control.

Do not force tool. Use the correct tool for your application. The correct tool will do the job better and safer at the rate for which it is designed.

Do not use the tool if the power switch does not turn it "ON" or "OFF". Any tool that cannot be controlled with the switch is dangerous and must be repaired.

Disconnect the power cord plug from the power source before making any adjustments, changing accessories or storing the tool. Such preventive safety measures reduce the risk of starting the tool accidentally.

Store idle tools out of reach of children and other untrained persons. Tools are dangerous in the hands of untrained users.

DANGER

People with pacemakers or other electronic devices should consult with a physician before operating this product. Interruption or failure of the pacemaker could occur when electrical equipment is operated within close proximity of electrical devices.

⚠ WARNING

Inhaling dust created as a result of construction projects could be hazardous to your health. Construction dust may contain chemicals, which are known to cause cancer, birth defects and other reproductive harm in the State of California.

These chemicals could be, but are not limited to: lead from lead based paints, crystalline silica from bricks or cement, arsenic, and chromium from chemically treated-lumber.

To reduce your risk of exposure to harmful materials: always wear a dust mask that is designed to filter out hazardous microscopic contaminants, always work in a well ventilated area, and wear other approved safety equipment.

⚠ WARNING

Wash hands after handling the power cord. Touching the power cord could expose you to lead, which is known in the State of California to cause cancer, birth defects and other reproductive harm.

⚠ WARNING

All work areas should be clean and well lit. Accidents are more likely to occur in poorly lit and cluttered areas.

⚠ WARNING

Do not operate power tools in the presence of flammable liquids, gas, or dust. Sparks created from the power tool could ignite flammable materials.

⚠ WARNING

Keep children, and other distractions at a distance while operating power tools.

⚠ WARNING

This power tool is equipped with a polarized plug, meaning one blade is wider than the other and is designed to fit into a standard polarized outlet. The plug will fit into polarized outlets only one way. **DO NOT FORCE THE PLUG INTO THE OUTLET!** If the plug does not fit, a polarized outlet may need to be installed by a qualified electrician.

⚠ WARNING

Keep the power cord in good condition, and replace damaged cords immediately. Do not use the cord to pull the plug from the outlet. Keep the cord away from materials and surfaces that could damage cords. The risk of electric shock increases when the power cord is damaged.

⚠ WARNING

Always use the appropriate extension cord, making sure it is rated for use with power tools. Always be sure the extension cords are in good condition, free of cuts or nicks in the insulation. If using the power tool in an outside area with an extension cord, make sure the cord is rated for outdoor use.

⚠ WARNING

Do not make contact with a grounded surface while using this power tool. Contact with surfaces like pipes, radiators or major appliances increases your risk of electric shock.

⚠ WARNING

Use common sense while operating this power tool.

Do not use this tool if you are:

- Feeling tired or are under the influence of alcohol or drugs.
- Wearing loose clothing or jewelry. Keep long hair pulled back and away from moving parts.
- Overreaching or have improper footing. Handling the tool in this way could cause serious injury.

When using this power tool always:

- Wear the proper safety equipment, such as safety goggles, dust masks, non-skid shoes, etc.
- Check to be sure all adjusting keys or wrenches have been removed before starting the power tool.
- Check to be sure the power switch is in the "OFF" position before plugging the power tool into an electrical outlet.

⚠ CAUTION

Follow these steps to maintain safe working conditions and good working condition of power tools. Improper care can result in electric shock or serious injury.

- Secure and support the work piece using clamps. **Do not use your hands to hold the piece in place.**
- **Use the correct tool for the job.** Using the correct tool is safer and faster.
- **Make sure the power switch is in good working order.** If the power switch no longer turns the tool "ON" or "OFF", discontinue use, and have the tool replaced or repaired.
- **Remove the power cord from the power source before storage, changing accessories, or moving the tool.**
- **Keep out of reach of children, or any untrained person.** Store tools in a safe and dry place.
- **Keep tools clean, and cutting tools sharp.** Maintaining tools with proper care will increase the life of the power tool, and reduce the risk of injury.
- **Check to be sure all moving parts are free from binding and are properly aligned.**
- Use only accessories that are recommended by the manufacturer for your tool model.
- **Hold the tool by the insulated grip when using in an area where contact with a "live" wire is a possibility.**

NOTE

Only qualified repair personnel must perform tool service. Service or maintenance performed by unqualified personnel could result in a risk of injury.

⚠ WARNING

Safety glasses and ear protection must be worn during operation. Keep hands and body away from and to the side of the blade. Contact with the blade will result in serious injury. Check lower guard. It must close instantly! Hold saw with both hands. Support and clamp work. Wear eye protection. Always use both blades. Use of only one blade may result in serious injury.

⚠ WARNING

You can create dust when you cut, sand, drill or grind materials such as wood, paint, metal, concrete, cement, or other masonry. This dust often contains chemicals known to cause cancer, birth defects, or other reproductive harm. Wear protective gear.

SERVICE

Tool service must be performed only by qualified repair personnel. Service or maintenance by unqualified personnel could result in a risk of injury.

When servicing a tool, use only identical replacement parts. Follow instructions in the Maintenance section of this manual. Use of unauthorized parts or failure to follow Maintenance Instructions may create a risk of shock or injury.

IMPORTANT SAFETY INSTRUCTIONS

⚠ WARNING

Before using the tool, you need to become familiar with the operation. If you are unsure about the operation, or have any questions about the proper use of the tool, call Customer Service at 1-888-287-6981.

Follow these instructions for safe handling of the tool:

- Always secure and support the work piece using clamps. **Do not use your hands to hold the piece in place.**
- **Do not use solvents containing carbon tetrachloride, ammonia or acetone to clean the tool.** Never use gasoline, paint thinner, or other caustic chemicals that can damage the plastic parts of the tool.
- **Always use the appropriate safety gear when operating the tool.** Including but not limited, to goggles, dust mask or respirator. Always work in a well-ventilated area to reduce your exposure to harmful chemicals and dust particles.

SPECIFICATIONS

- 120V / 60 Hz
- 7.5 AMPS
- MAX SPEED: 4200 RPM
- 1 3/16" Max Cutting Capacity



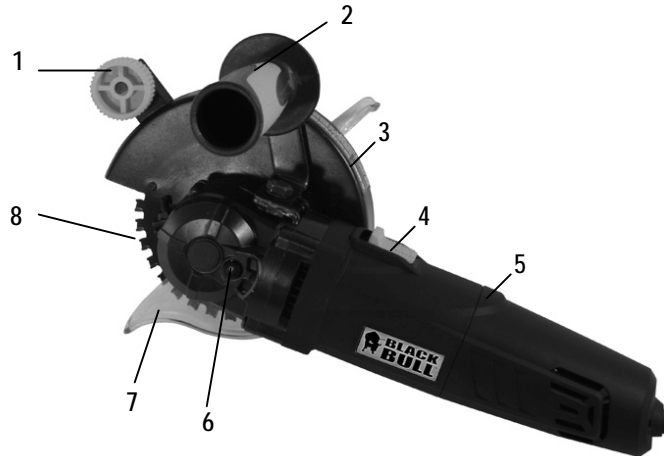
PACKAGE CONTENTS

- Double Cut Saw With Side Handle
- Two Cutting Wheels
- Multi Purpose Wrench
- Wax Stick

COMPONENTS

Observe the locations and functions of the various components and controls of this tool.

- 1) Lubricating Wheel
- 2) Side Handle Grip
- 3) Wheel Guard
- 4) Power On/Off
- 5) Grip
- 6) Spindle Lock
- 7) Wheel Guard (Lower)
- 8) Cutting Wheels



ASSEMBLY

⚠ WARNING

Always include the side handle grip when operating the tool. Using the tool without the handle could result in loss of control, and result in serious injury.

⚠ WARNING

Always use the tool with the wheel guard securely and properly installed. The wheel guard should always be placed between the user and the cutting wheels. An improperly installed wheel guard could result in serious injury.

Check to be sure the tool is unplugged. To attach the side handle grip, add handle and secure with bolt (Figure A, Figure B).



(Figure A)



(Figure B)

USING LUBRICATION



The cutting blades are "Dry Cut" and may need to be lubricated only in extreme conditions such as when cutting copper, stainless steel and cast iron.

Insert the Wax Stick into the lubricating hole, and rotate the wheel slowly.

REPLACING THE CUTTING WHEELS

⚠ WARNING

Improper installation of the cutting wheels can cause injury to the user or damage the cutting saw. Use caution when removing and installing cutting wheels. Make sure nuts are tight and secure before use.

Check to be sure the tool is unplugged.

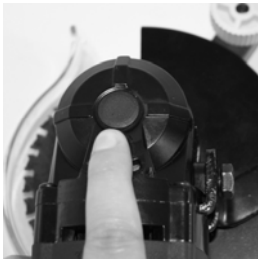
Press the spindle lock (Figure E)

Use the Multi Purpose Wrench to remove Bolt (Figure F)

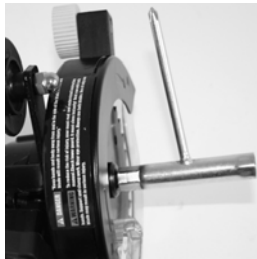
Rotate the Wheel Guard, then remove the cutting wheels from the tool (Figure G)

To replace the cutting wheels, choose only Double (Twin) Cut Replacement Saw Blades Replace Wheel (available from your local dealer or by calling our Customer Service department). Select Wheel A first, by positioning it along the three alignment holes. (Figure H), then position Wheel B along the two alignment holes (Figure I)

When both wheels are locked in place, replace Bolt (Figure F) and tighten securely.



(Figure E)



(Figure F)



(Figure G)



(Figure H)



(Figure I)

OPERATION

IF THERE IS ANY QUESTION ABOUT A CONDITION BEING SAFE OR UNSAFE, DO NOT OPERATE THIS PRODUCT!

⚠ WARNING

Lift the tool off the work surface before starting and stopping the motor.

⚠ WARNING

Applying too much pressure on the work surface while cutting can damage the saw.

⚠ WARNING

Always secure the work piece using clamps. Never use your hands to hold the work piece in place. An unsecured work piece could cause serious injury.

Plug into outlet. Hold firmly in hand and press the Power On/Off trigger switch to start the motor. Follow the directions below for cutting details and feed speed suggestions.

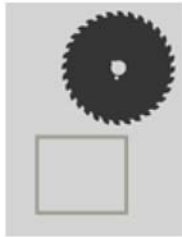
SELECTING THE CORRECT FEED IS IMPORTANT

If the feed speed is too low, the blades will only press down the material rather than cutting it. The edge glides or wears down the material. The result is a poor cut and rapid wear of the blades.

If the feed speed is too high there is a risk that the cut might split and the splinter opening's volume will not be sufficient to divert all the shaving. The result is a poor cut with significant discharge on the lower side of the material.

Feeding must be parallel to the blade. Feeding at an angle can burn the blade and damage the teeth.

INSTRUCTION FOR CUTTING VARIOUS CROSS SECTIONAL MATERIALS



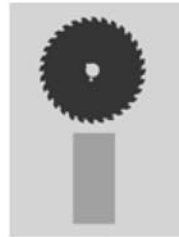
Flat bar iron

The blade is fed at an angle of 90° to the work surface.



Corner piece

The blade is fed diagonally through the work surface.



Rectangular pipe

The blade is fed from corner to corner.



U-section

The blade is fed from corner to corner.



Aluminum/copper

The machine must always be equipped with the lubricating device, to be used when cutting all kinds of aluminum and copper



Shaped plate

The plate must always rest on three mounts, with one on either side of the cut.



Pipes

The blade is fed through the object until it reaches the lower edge, angled as it goes so that the blade hits the material at an angle of 90°.



Spiral tube and longitudinal cutting

Feed the blade through the material, so that the blade only protrudes through approx. 3/8 Inch, do not drive it as far as the blade's entire cutting edge. Then start to feed the blade forwards or backwards.



Thin plate

Only feed the blade down approx. 3/8 Inch. Then start cutting.

MAINTENANCE

⚠ WARNING

Disconnect the power supply before cleaning. Wear safety eyewear before cleaning. Use compressed dry air to blow off dust and debris. Use a soft bristle brush if compressed air is not available.

CAUTION

Applying excessive force to the tool can overload the motor, decrease the life and increase the wear on the tool.

CAUTION

Some chemicals can damage the product. Do not use harsh chemicals such as gasoline, carbon tetrachloride, paint thinner, etc.

CAUTION

A qualified repair technician must perform any tool service or repair. Service or maintenance performed by unqualified personnel could result in injury. Use only identical replacement parts. Use of unauthorized parts or failure to follow maintenance instructions may create a risk of electric shock or injury.

⚠ WARNING

Do not make contact with a grounded surface while using this power tool. Contact with surfaces like pipes, radiators or major appliances increases your risk of electric shock.

Keep construction debris out of tool vents and triggers by blowing with compressed air.

Use only mild soap and a slightly damp cloth to clean the tool.

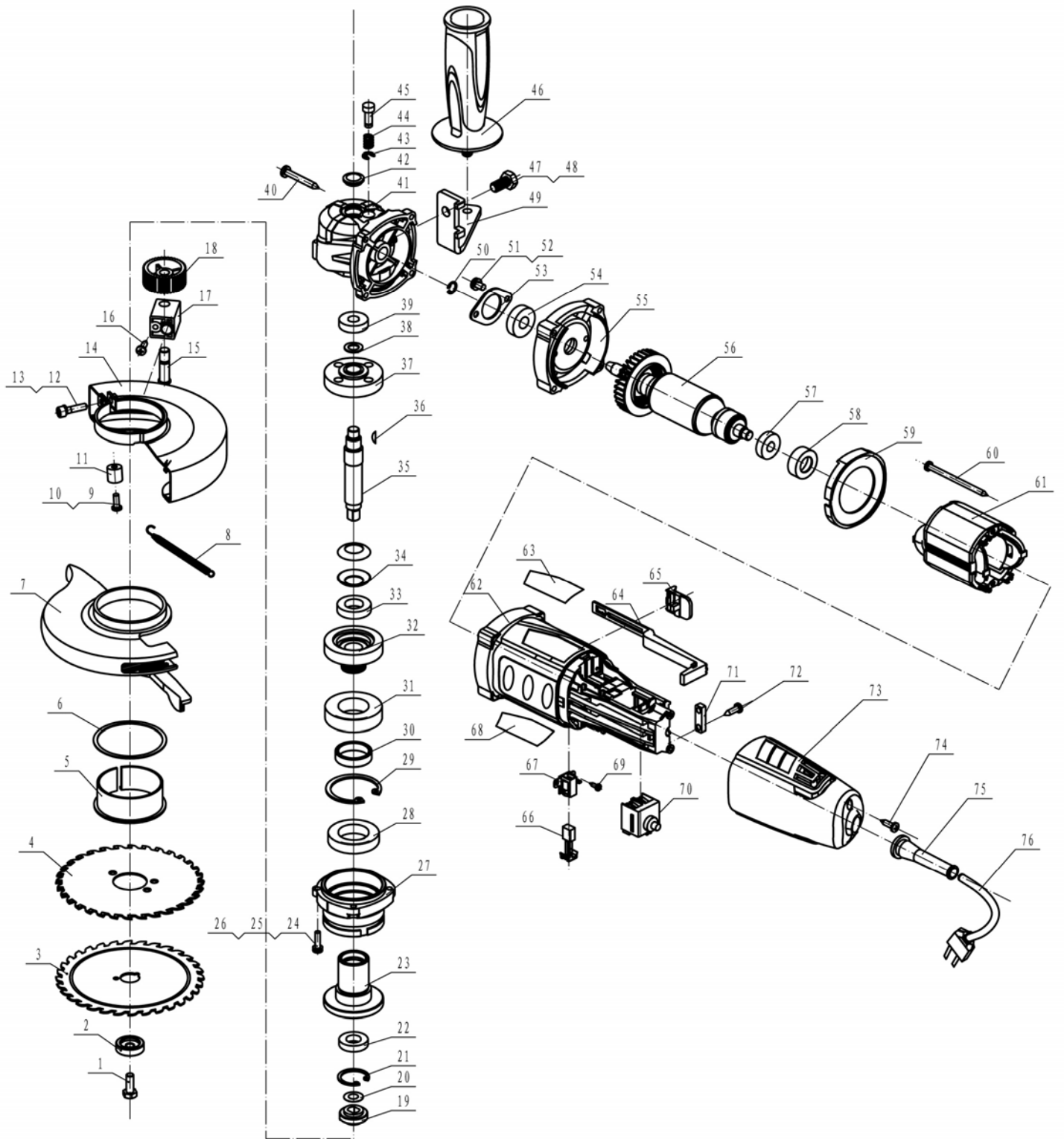
ACCESSORIES

Use only accessories that are recommended by the manufacturer for your model. Accessories that may be suitable for one tool may become hazardous when used on another tool.

PARTS LIST

No.	Name and Specification	Quantity	No.	Name and Specification	Quantity
1	Hexcap Bolt	1	39	bearing	1
2	Outer flange	1	40	screw	4
3	Saw Blade B	1	41	Geat box	1
4	Saw Blade A	1	42	Oil Cap	1
5	Guard support	1	43	c clip	1
6	Guard support washer	1	44	spring	1
7	moving Guard/or lower guard	1	45	lock pin	1
8	spring	1	46	Front handle	1
9	bolt	1	47	bolt	1
10	washer	1	48	c washer	1
11	Rubber Pin	1	49	Front handle support	1
12	Bolt	1	50	c clip	1
13	C washer	1	51	bolt	2
14	Guarder	1	52	c washer	2
15	pin	1	53	Triangle press cover	1
16	Screw	1	54	Bearing	1
17	lubrication unit	1	55	middle board	1
18	lubrication Knob	1	56	Rotor	1
19	inner flange	1	57	bearing	1
20	washer	1	58	Bearing sleeve	1
21	c clip	1	59	wind shield ring	1
22	bearing	1	60	screw	2
23	shaft sleeve	1	61	stator	1
24	Bolt	4	62	motor housing	1
25	c washer	4	63	lable	1
26	washer	4	64	switch lever	1
27	Gear Box cover	1	65	Switch Button	1
28	Bearing	1	66	carbon Brush	2
29	c clip	1	67	Brush holder	2
30	bearing sleeve	1	68	lable	1
31	bearing	1	69	screw	4
32	Gear wheel-upper	1	70	switch	1
33	Bearing	1	71	power cable clamp	1
34	Elasticity washer	2	72	screw	2
35	shaft	1	73	rear cover	1
36	Haft circle Key	1	74	screw	2
37	Gear wheel-lower	1	75	power cable guard	1
38	washer	1	76	power cable	1

PARTS DIAGRAM



BB07552 201105