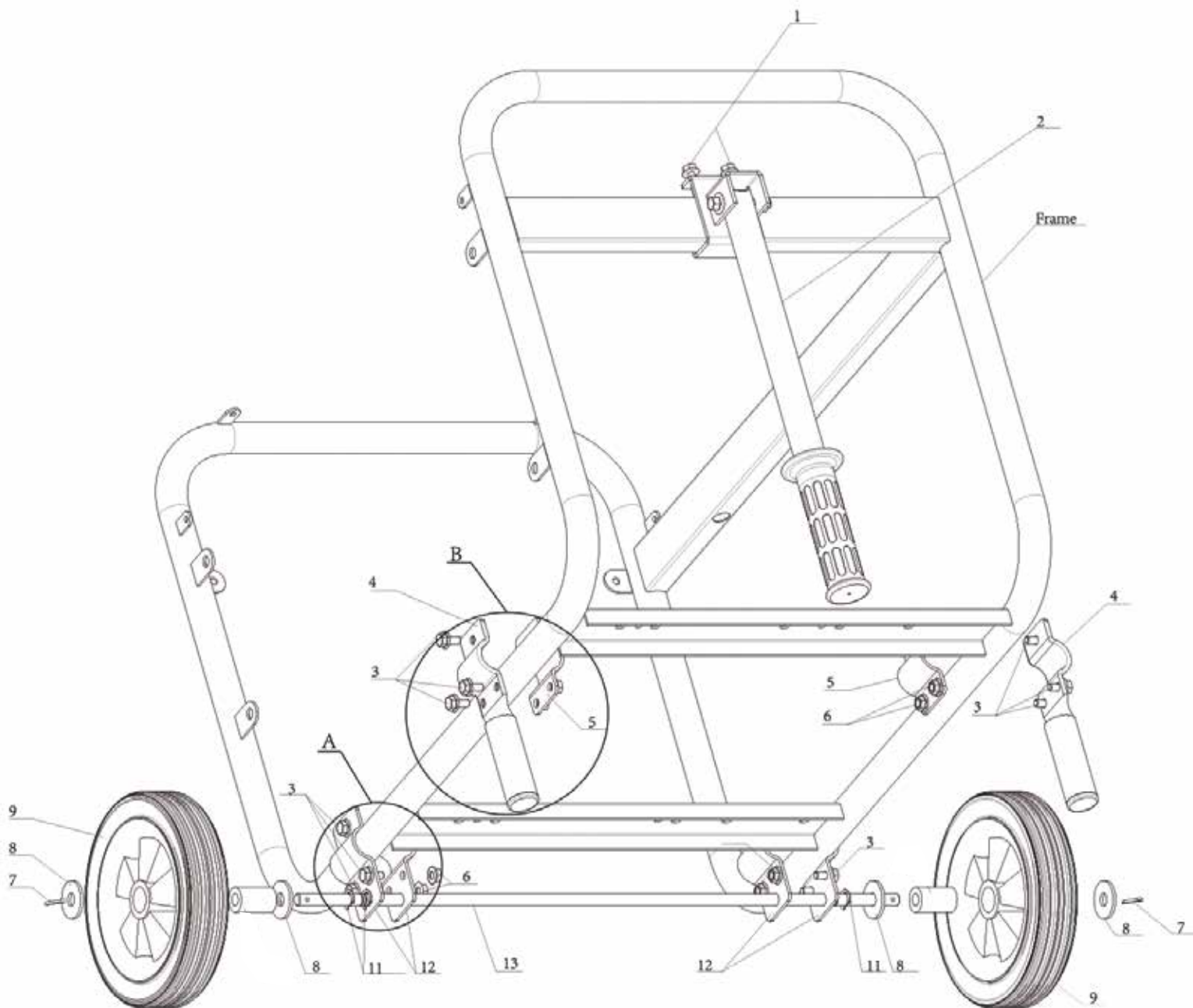


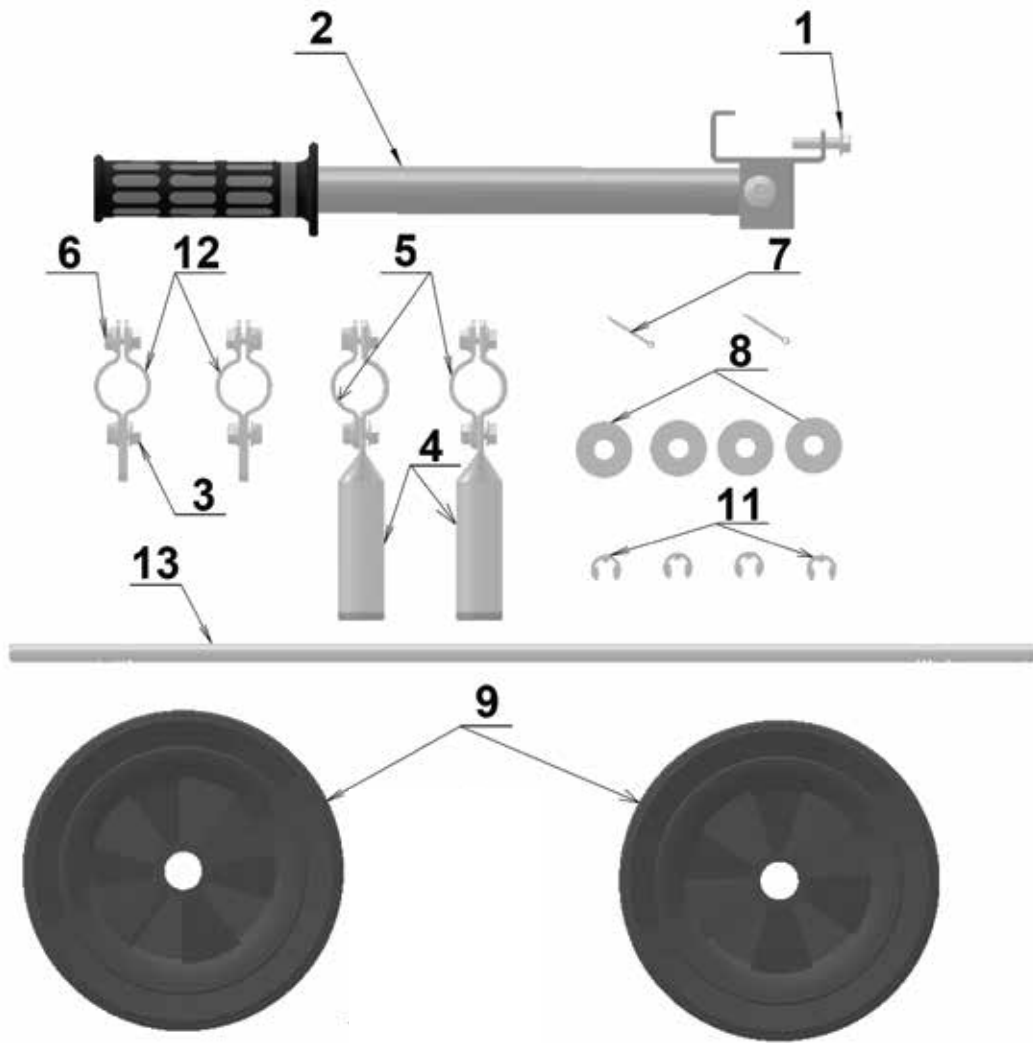
**ITEM # GENWHKIT
WHEEL KIT ASSEMBLY FOR GEN4000/GEN4000DF/GEN4000LP GENERATOR**



- A) USE PART #1 BOLT TO ATTACH PART #2 HANDLE TO FRAME.
- B) USE PART #3 BOLT TO ATTACH PART #4 SUPPORT FOOT ASSEMBLY AND PART #5 LOCKING PLATES/SUPPORT FEET TO FRAME.
- C) USE PART #6 NUT AND PART #11 SPLIT WASHER AND PART #12 WHEEL LOCKING PLATE AND PART #8 WASHER 10 TO ATTACH PART #13 WHEEL AXLE.
- D) THEN ADD BOTH PART #9 WHEELS USING PART #8 WASHER AND PART #7 COTTER.

If you experience a problem, have questions or need parts for this product, call Customer Service at 1-636-532-9888, Monday-Friday, 8 AM - 4 PM Central Time. A copy of the sales receipt is required.

**ITEM # GENWHKIT
WHEEL KIT ASSEMBLY FOR GEN4000/GEN4000DF/GEN4000LP GENERATOR**



No.	Part No	Description	Qty
1	GB5789 M6*25	Bolt M6*25	2
2	GEN4000DF08-07.00	Handle assy	1
3	GB5789 M6*12	Bolt M6*12	12
4	GEN4000DF08-02.00L	support foot assy	2
5	GEN4000DF08-03L	locking plate,support foot	2
6	GB6177.1 M6	Nut, M6	12
7	GB91 2.5*25	cotter	2
8	GB96 10	Washer 10	4
9	wheel 7*1.75S	wheel	2
11	GB896 8	split washer	4
12	GEN4000DF08-04L	locking plate, wheel	4
13	GEN4000DF08-01L	wheel axle	1