

GSM4BF

**Roll & Fold Mini Scaffolding
500 Lb. Load Capacity**

Assembly & Operating Instructions



READ ALL INSTRUCTIONS AND WARNINGS BEFORE USING THIS PRODUCT.

SAVE THESE INSTRUCTIONS FOR FUTURE REFERENCE.

This manual provides important information on proper operation and maintenance. Every effort has been made to ensure the accuracy of this manual. We reserve the right to change this product at any time without prior notice.

STOP! CONTACT CUSTOMER SERVICE WITH QUESTIONS OR PROBLEMS.

DO NOT RETURN THIS PRODUCT TO THE RETAILER.

If you experience a problem or need parts for this product, visit our website <http://www.buffalotools.com> or call our customer help line at 1-888-287-6981, Monday-Friday, 8 AM - 4 PM Central Time. A copy of the sales receipt is required.

TABLE OF CONTENTS

RECOGNIZE SAFETY SYMBOLS, WORDS AND LABELS	2
SERVICE	5
PACKAGE CONTENTS	6
COMPONENTS	6
ASSEMBLY	6
OPERATION	7

RECOGNIZE SAFETY SYMBOLS, WORDS AND LABELS

What You Need to Know About Safety Instructions

Warning and Important Safety Instructions appearing in this manual are not meant to cover all possible conditions and situations that may occur. Common sense, caution and care must be exercised when assembling or using this product.

Always contact your dealer, distributor, service agent or manufacturer about problems or conditions you do not understand.



WARNING This is a safety alert symbol. It is used to alert you to potential personal injury hazards. Obey all safety messages that follow this symbol to avoid possible injury or death.



CAUTION This is a safety alert symbol. It is used to alert you to potential personal injury hazards. Obey all safety messages that follow this symbol to avoid possible injury or death.

GENERAL PRODUCT SPECIFICATIONS



⚠ WARNING

**MAXIMUM LOAD CAPACITY:
500 lbs (Workers & Materials)
(250 Lbs Each Platform)**

⚠ WARNING

**THIS PRODUCT IS
CONDUCTIVE: Do not use
near electrical circuits or
wires. Serious injury or
death could result.**

FEATURES:

- 500 Lb. Working Load Capacity (250 Lbs. Each Platform)
- 4" Swivel Locking Casters For Easy Mobility
- Dual Platforms Functions As A Stable Work Table
- Move Steel Deck To Adjust Height!

SPECIFICATIONS

- Assembled Size: 21.5" L x 41" W x 45.5" H
- Folds To Only 7" Wide For Easy Storage
- 2 Pieces Adjustable Height Steel Deck Boards With Non - Slip Finish

⚠ WARNING

MAXIMUM LOAD CAPACITY: 500 lbs. Improper erection, dismantling or use of Roll & Fold Mini Scaffold may result in serious injury or death! Erectors, dismantlers, and users of Roll & Fold Mini Scaffold must read and fully understand these Safety Rules and Instructions.

WARNING: DO NOT OVERLOAD SCAFFOLD! IT MAY RESULT IN SERIOUS INJURY!

KEEP THIS MANUAL, SALES RECEIPT & APPLICABLE WARRANTY FOR FUTURE REFERENCE. READ ALL INSTRUCTIONS AND WARNINGS BEFORE USING THIS

PRODUCT. When unpacking, check to make sure all parts listed are included. If any parts are missing or broken, please call Customer Service at 1-888-287-6981.

FOR CONSUMER USE ONLY – NOT FOR PROFESSIONAL USE

IMPORTANT SAFETY RULES

COMMON SENSE AND CAUTION ARE FACTORS WHICH CANNOT BE BUILT INTO ANY PRODUCT. THESE FACTORS MUST BE SUPPLIED BY THE OPERATOR.

WARNING

Keep your work area clean and well lit. Cluttered, dark work areas may cause accidents or injury.

Keep bystanders, children and visitors away. Distractions can cause you to lose control.

WARNING

For rolling scaffolds, follow these additional safety rules:

- A. Never ride rolling scaffolds.
- B. Remove all material and equipment from the scaffold before moving.
- C. Lock caster brakes at all times the scaffold is not being moved.
- D. Do not attempt to move rolling scaffolds without sufficient help and roll on level surfaces only. Watch out for holes or floor obstructions and for overhead obstructions, including power lines, lights, and other hazards.
- E. Never attempt to move scaffold while on top.
- F. If rolling scaffolds are used outdoors, care must be taken to assure that they cannot become unstable due to wind or other conditions.

WARNING

Never use ladders or makeshift devices on top of scaffold to increase the height. Never place plank on or stand on guardrails and mid-rails.

WARNING

All work areas should be clean and well lit. Accidents are more likely to occur in poorly lit and cluttered areas.

WARNING

Keep children, and other distractions at a distance while using scaffolding.

WARNING

Do not overload the scaffold. Refer to and do not exceed the scaffold load capacities.

WARNING

Use common sense while operating this power tool.

Do not use this tool if you are:

1. Feeling tired or are under the influence of alcohol or drugs.
2. Wearing loose clothing or jewelry. Keep long hair pulled back and away from moving parts.
3. Overreaching or have improper footing. Use of the scaffold in this way could cause injury.

SERVICE

Service must be performed only by qualified repair personnel. Service or maintenance by unqualified personnel could result in a risk of injury.

When servicing the scaffold, use only identical replacement parts and follow instructions in the manual. Use of unauthorized parts or failure to follow Maintenance Instructions may create a risk of shock or injury.

SAVE THESE INSTRUCTIONS FOR FUTURE REFERENCE.

This manual contains important information regarding safety, operation, maintenance and storage of this product. Before use, read carefully and understand all warnings, cautions, instructions and labels. Failure to do so could result in serious personal injury, property damage or even death.

IMPORTANT SAFETY INSTRUCTIONS

⚠ WARNING

Before using this scaffold, you need to become familiar with its operation. If you are unsure about the operation of the scaffold, or have any questions about its proper use, call the Customer Service Department at 1-888-287-6981.

PACKAGE CONTENTS

- Two Scaffold Planks
- Scaffold Frame
- 4 Caster Wheels
- Locking Pins

COMPONENTS

- 1) Folding Scaffold Frame
- 2) Scaffold Plank
- 3) Caster Wheel



ASSEMBLY

NOTE

Unpack product from package and review contents. Keep all packaging until product has been reviewed.

Locate and identify all pieces. (Figure 1)

Insert casters into bushings, then align holes & insert lock pins. (Figure 2)

Unfold the scaffold. Place Anti-Slip inserts on inside of platform, then install the platforms. (Figure 3)

Place platforms onto the side panels at the desired height. Make sure the platforms are level and secured in place over the end frames before using.

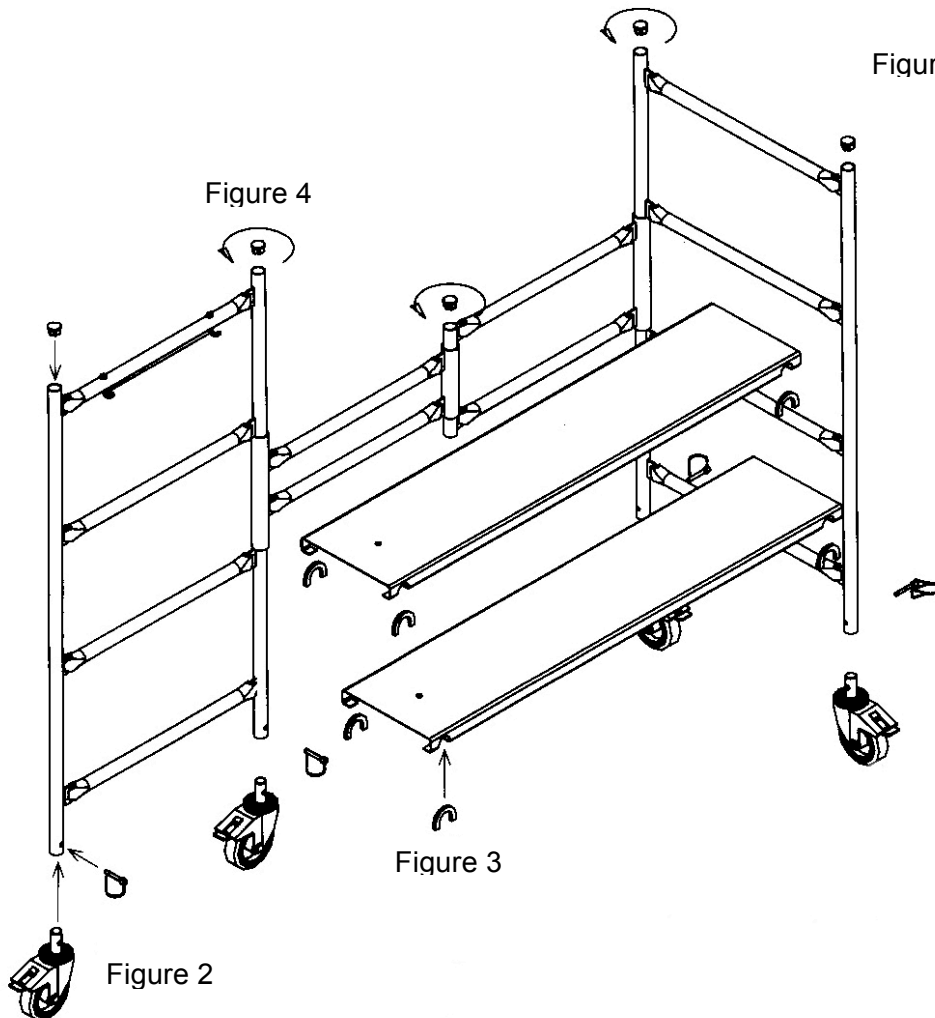
Place caps on the top of the structure. (Figure 4)

Lock the brakes on each caster before climbing onto the platforms. The casters can be put into the locked position by depressing the brake lever on each caster. Always test brakes before climbing onto the platforms. Never climb on without engaging all brakes. (Figure 5)

Figure 5



Figure 1



OPERATION

⚠ WARNING

Do not overload the scaffold. Refer to and do not exceed the scaffold load capacities.

⚠ WARNING

Use common sense while operating this scaffold.

Do not use this tool if you are:

Feeling tired or are under the influence of alcohol or drugs.

Overreaching or have improper footing. Use of the scaffold in this way could cause injury.

⚠ WARNING

Never use ladders or makeshift devices on top of scaffold to increase the height. Never place plank on or stand on guardrails and mid-rails.

⚠ WARNING

Do not pull or “scoot” from one location to another while standing on the platforms. Step down from the scaffold before moving. Unlock casters before moving.

Do not side load. Do not place ladders, boxes or other objects on the platform. Do not stack multiple units together.

MAINTENANCE

CAUTION

A qualified repair technician must perform any service or repair. Service or maintenance performed by unqualified personnel could result in injury. Use only identical replacement parts. Use of unauthorized parts or failure to follow maintenance instructions may create a risk of electric shock or injury.

⚠ WARNING

Do not make contact with a grounded surface while using this Mini Scaffold. Contact with surfaces like pipes, radiators or major appliances increase your risk of electric shock.

Walk around the area in which the work will be performed and remove any hazardous materials. Note any floor hazards such as construction debris, holes in the floor, etc. Remove any debris. Scaffold must only be used on solid (concrete, etc.) flat and level floor surfaces.

Use only mild soap and a slightly damp cloth to clean the scaffold.

Platforms and casters must be checked for worn or damaged wheels and missing or damaged pins. Test all brake locks often. The casters should turn freely and smoothly while being operated. Casters may be lubricated whenever necessary to help protect them and to help provide smooth operation.

ACCESSORIES

Use only accessories that are recommended by the manufacturer for your model. Accessories that may be suitable for one tool may become hazardous when used on another tool.

NOTES: