

# Follow This Step-By-Step Guide To Using Your Generator

**1** Remove generator from package

**2** Add Oil

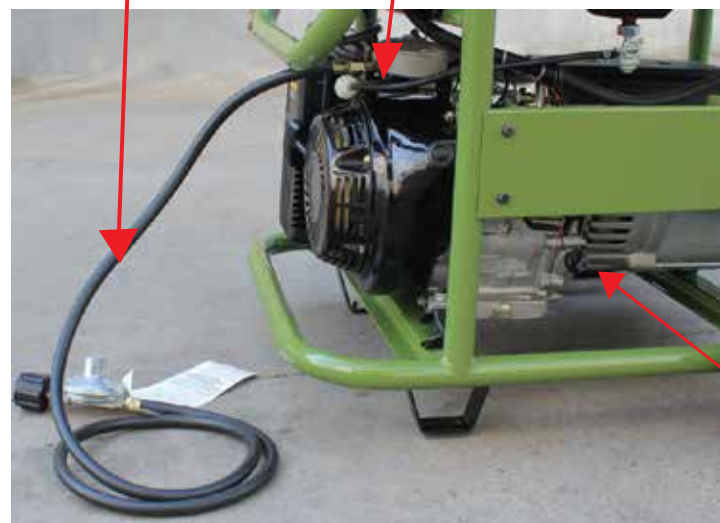
Oil Type: SAE10W-30 Oil (Must add BEFORE first use)  
Oil Capacity: 30.4 fluid oz  
Because this generator includes Low Oil Shut Off, the generator will not start with low oil)

**3** Connect Fuel  
If using LP or Natural Gas, connect regulator hose (Fig A) to Propane/NG Fuel Tank and to the Gas Inlet. (O-Ring should be attached to Gas Inlet.) (Fig B)  
If using Gasoline, add fuel to tank (Fig 3)

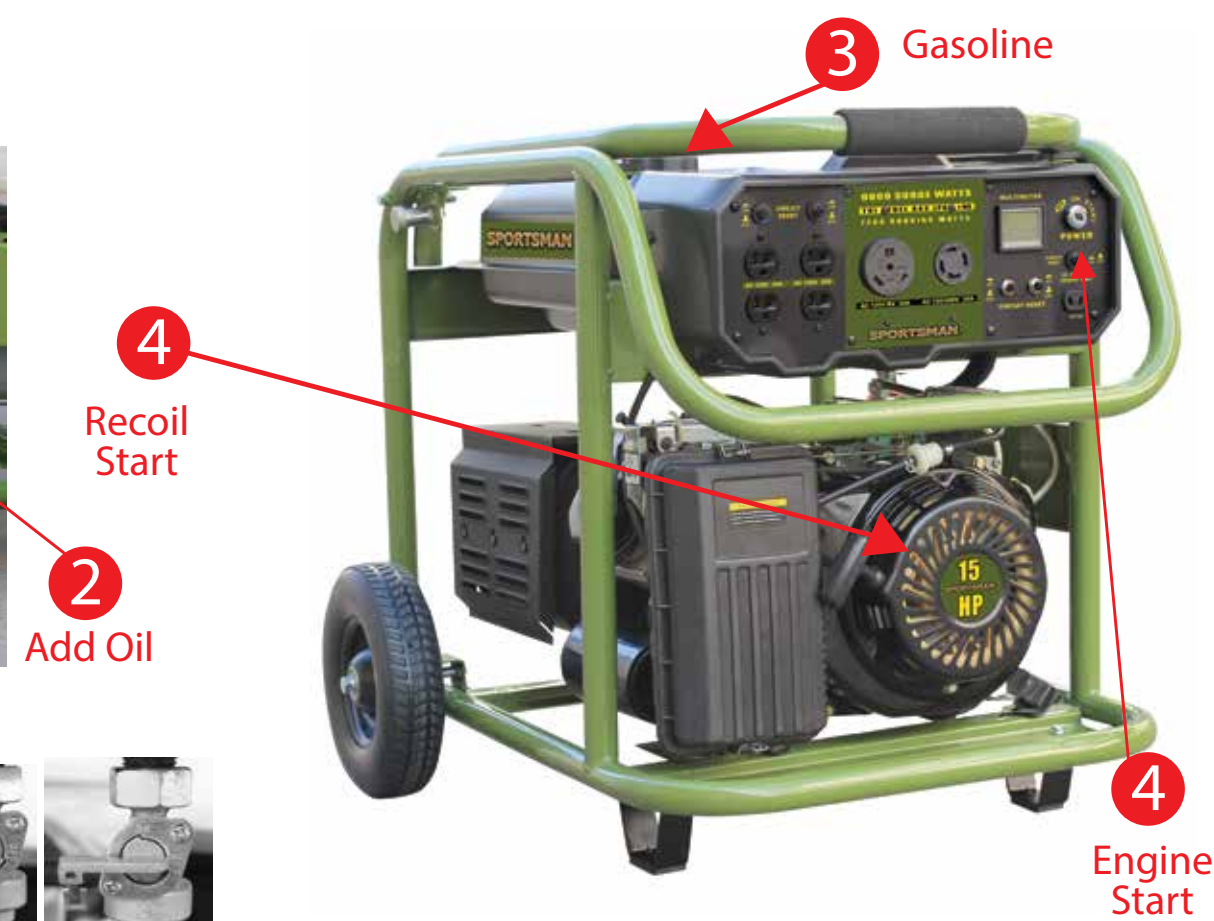
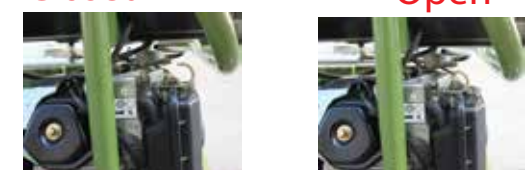
**4** Start The Generator

- Use the generator OUTDOORS in a WELL VENTILATED AREA.
- DO NOT CONNECT electrical devices until AFTER the generator is started.
- Adjust the CHOKE to CLOSED position (Figure C)
- Start the generator manually with the Recoil (Pull) Start. To use the Electric Start, a battery must be purchased (sold separately).
- Once the engine has started and runs for about a minute, move the choke lever approximately half way towards the "Open/Run" position. Wait an additional 30 seconds and then move the choke lever completely over to the "Open/Run" position.
- You can now connect electrical devices.

Regulator Hose (Figure A)  
LP/NG Gas Inlet (Figure B)



Choke (Figure C)  
Closed Open



## GENTRi9K

9,000 Surge / 7,200 Running Watts

LP / NG / GASOLINE FUEL

A BATTERY IS NOT INCLUDED! TO USE THE ELECTRIC START FEATURE, BUY A BATTERY WITH THESE SPECIFICATIONS:

Use a 12 Volt motorcycle battery no larger than 6" L x 3.8" H x 3.8" W (151 mm x 99 mm x 98 mm).  
CCA (Cold Cranking Amps): 130 Min CCA

Comparable brands/models are:  
12 Volt 12 Ah Sealed Lead Acid (Model # UB12120)

- GENERATOR SPECIFICATIONS:**
- 9000 Surge Output / 7200 Running Watts
  - 120/240 Volt Operation
  - 15 HP Engine, 4 Stroke OHV
  - Displacement (CC): 420cc
  - AVR Automatic Voltage Regulation
  - Low Oil Shut Off
  - UL Listed Electrical Components
  - Engine Shut Off Switch
  - Circuit Breaker & Power Outlets
  - Spark Plug Model F6RTC.
  - 1-12V DC Outlet
  - 4-120V AC Outlets
  - 1-120/240V Twist Lock Outlet
  - 1-120V RV Outlet
  - 7.4 Gallons Max Capacity Gasoline Fuel Tank
  - Decibel Rating < 80 db
  - Mobility Kit: Included
  - CARB & EPA – approved
  - Run time = 10 hrs @ 50% load (GAS)
  - 2 YEAR LIMITED EMISSION WARRANTY
  - 1 YEAR LIMITED WARRANTY

Outlets available on this generator, from left to right:  
4 each 120V AC , 120V AC RV, 120/240V AC and 12V DC.



120V AC Reset 120V RV 240/120V AC Reset DC Reset 12V DC Engine Switch

DO NOT CONNECT electrical devices until AFTER the generator is started.



### Battery Installation

A battery must be installed before the electric start feature can be used. Disconnect all electrical loads from this generator before installing/changing the battery.

Mount the battery tray to the generator frame. Insert the bolts (M5x12) through the frame and tighten.

Take the red (positive) cable from the engine and attach it to the positive terminal on the battery.  
Take the black (negative) cable from the engine and attach it to the negative terminal on the battery.

Use the enclosed rubber strap to secure the battery in place.

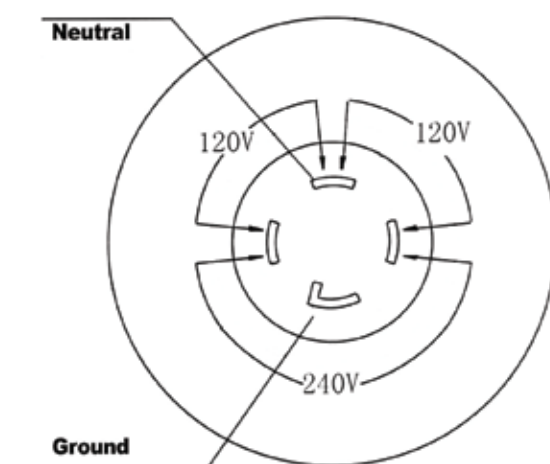
## GENTRi9K

9,000 Surge / 7,200 Running Watts

**DANGER**

SEEK THE ADVICE OF A LICENSED ELECTRICIAN FOR 120V / 240V WIRING

Enlarged View Of 120/240 Volt Outlet



WARNING: According to the State of California, the exhaust from this generator contains chemicals known to cause cancer, birth defects, or other reproductive harm.

**WARNING**

IF THERE IS ANY QUESTION ABOUT A CONDITION BEING SAFE OR UNSAFE, DO NOT OPERATE THIS PRODUCT!

Always follow Warning labels placed on the generator, and read and follow all Warning labels included inside the Product Manual.

WARNING: NEVER use a generator inside a home or a garage, EVEN IF the doors and windows are open.

ONLY USE OUTSIDE and far way from windows, doors and vents leading into an enclosed area.

Using a generator indoors can kill you in minutes. The generator produces an exhaust that contains carbon monoxide. This is a poison you cannot see or smell.

Do not attach a chain or rope to secure the generator to a post as this can be difficult to remove in the event of an emergency.

**TOLL-FREE NATIONWIDE HELP LINE! 866-460-9436**

Need Help? Do Not Return This Generator To The Store! Call Us First!  
Monday-Friday 8:00-4:30 Central Time

Visit our website for Troubleshooting & Frequently Asked Questions

**SPORTSMAN**

[www.sportsmanseries.com/generators](http://www.sportsmanseries.com/generators)

**TOLL-FREE NATIONWIDE HELP LINE! 866-460-9436**

Need Help? Do Not Return This Generator To The Store! Call Us First!  
Monday-Friday 8:00-4:30 Central Time

Visit our website for Troubleshooting & Frequently Asked Questions

**SPORTSMAN**

[www.sportsmanseries.com/generators](http://www.sportsmanseries.com/generators)