





**⚠ WARNING**

For use with GSSI 6 ft. Multi-Use Scaffolding. Always use Guard Rails and Outriggers when stacking units. Always lock casters before climbing onto scaffold.

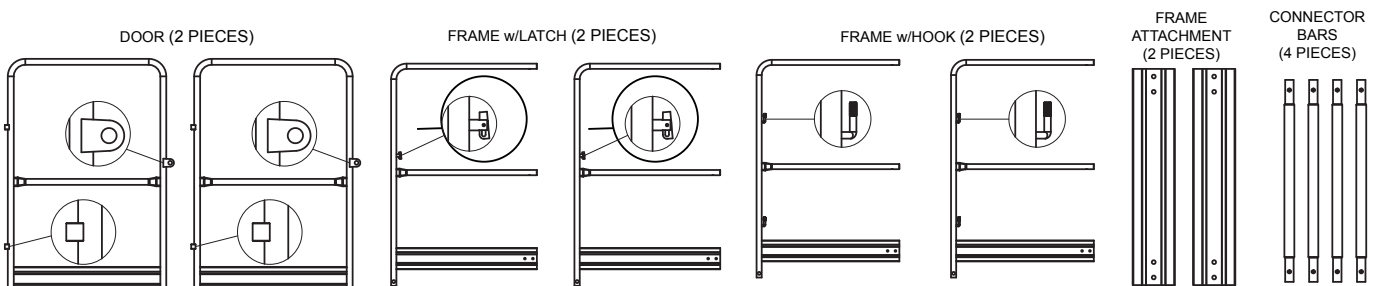
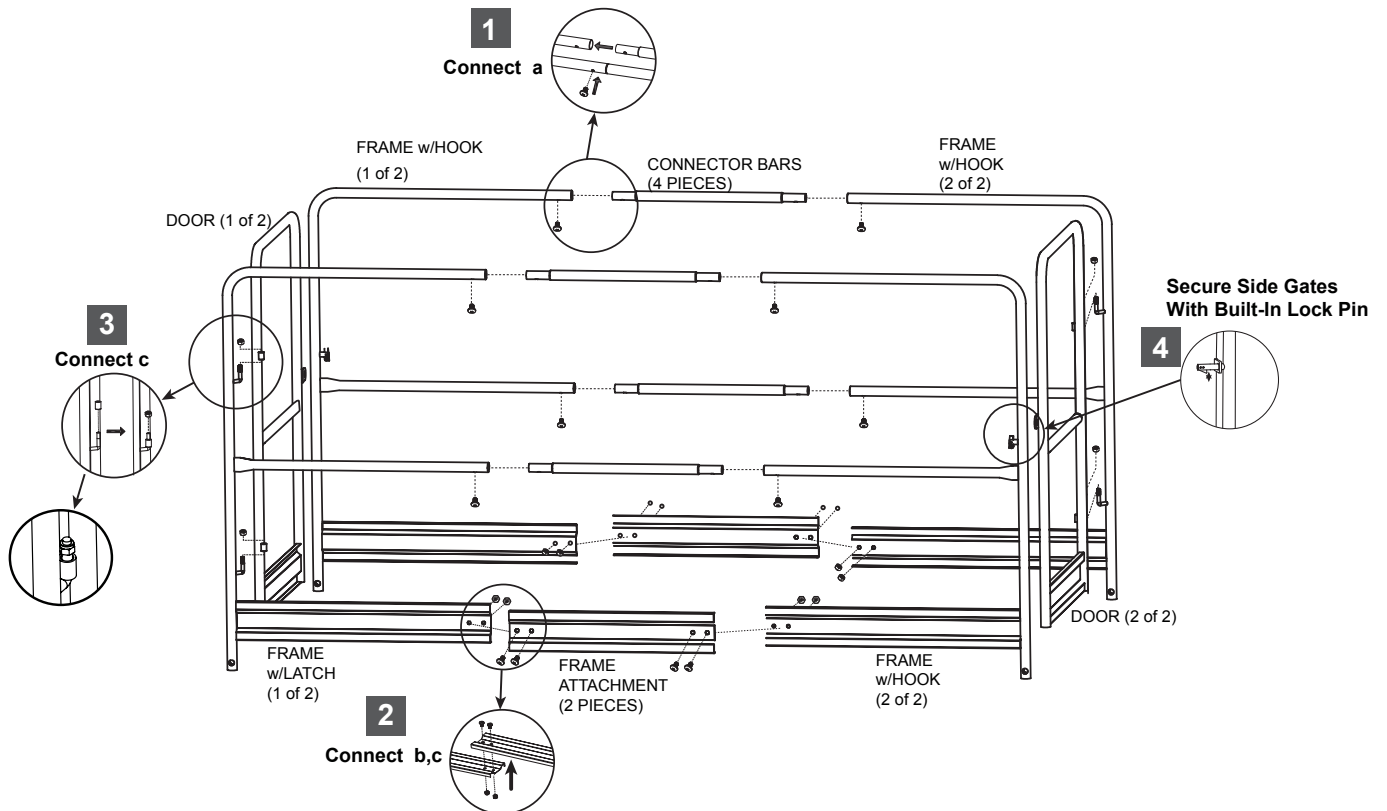
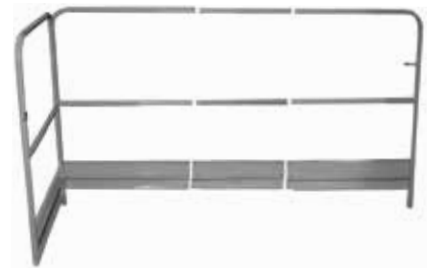
**IF THERE IS ANY QUESTION ABOUT A CONDITION BEING SAFE OR UNSAFE, DO NOT OPERATE THIS PRODUCT!**

**QUESTIONS OR PROBLEMS? CONTACT CUSTOMER SERVICE.** If you have questions or problems, call Customer Service 1-636-532-9888, Monday-Friday, 8 AM - 4 PM Central Time. A copy of the sales receipt is required.

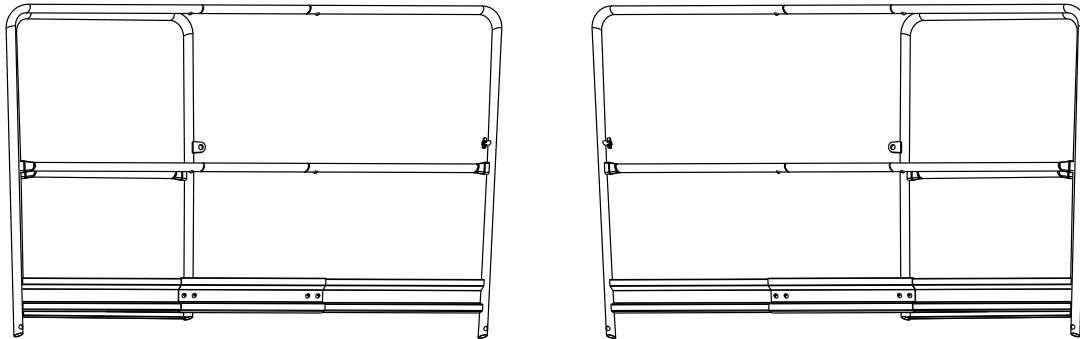
**1) Review Parts & Hardware**

- a) M6X10 Bolts  8 PCS
- b) M8X12 Bolts  8 PCS
- c) M8 Nut  12 PCS
- d) Locking Pins  4 PCS

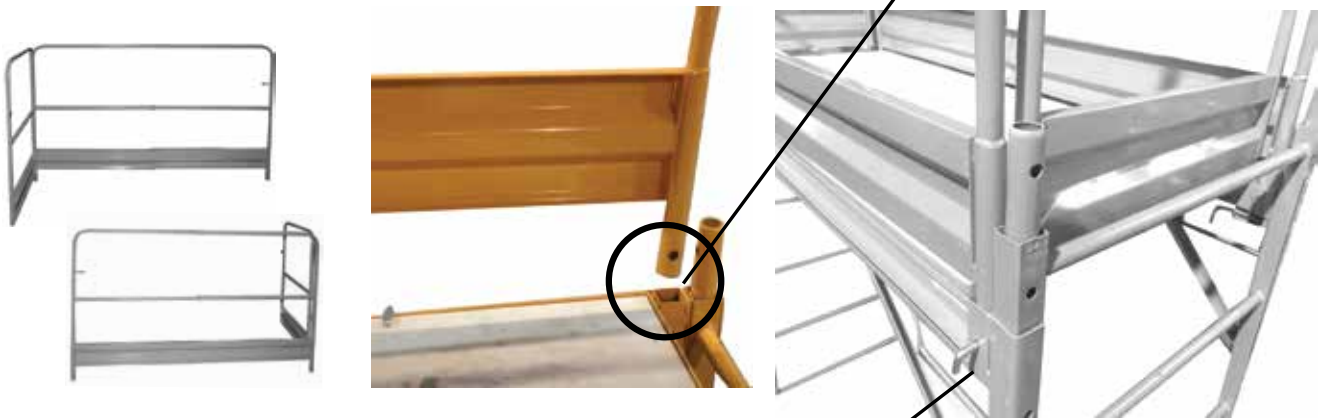
**2) Connect Guard Rail and Attach Bolt & Nuts**



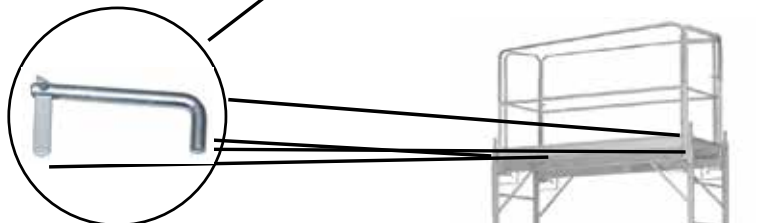
**NOTE: Make sure sides with door open on INSIDE**



**3) Position Guard Rails On Top of Scaffold, Insert Into SQUARE Frame.**



**4) Secure Guard Rails At Base Of Each Corner With Locking Pins**



**5) Secure Side Gates With Built-In Lock Pin**

